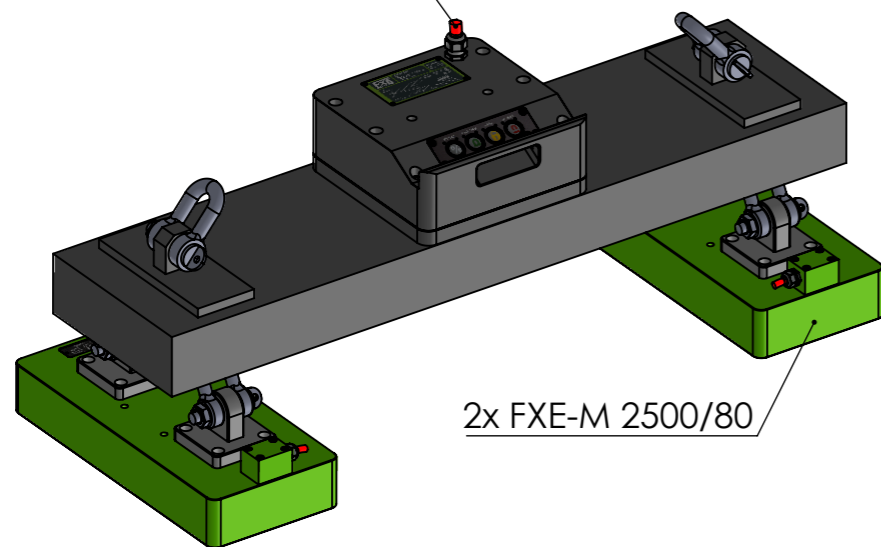
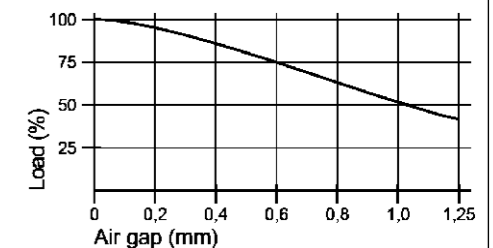
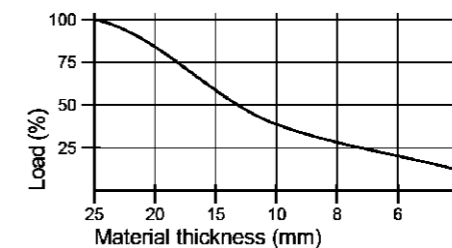
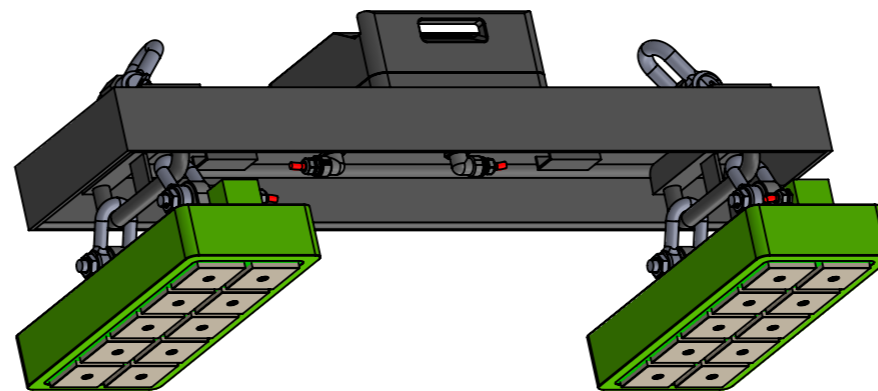


400V / L1, L2, PE / 25A



2x FXE-M 2500/80



Max. load capacity on sheets according to EN13155/WLL			
T material thickness	max. WLL	Max. dimensions	
		L (max.)	W (max.)
from 4 mm	350 kg	4000	1500
from 6 mm	700 kg	4000	1500
from 8 mm	1000 kg	4000	2000
from 10 mm	1250 kg	4000	2000
from 15 mm	2500 kg	5000	2500
from 25 mm	4000 kg	5000	2500

Schutzvermerk nach DIN ISO 16016 beachten! Nachdruck nur mit unserer Genehmigung!		3,2 -0,05 -0,2	tolerance	material:	weight: 175kg
All rights reserved according to DIN ISO 16016! Reprint with our permission only!			ISO 7168 M	drawing no.: 0022733	
		date	name	description: FXE-T 4000-80	
		drawn 26.10.2023	TW	(flat traverse design)	
		edit 26.10.2023		part no.: 10684002	
		appr. 26.10.2023	TW	sheet 1 / 1	
		 www.flaign-te.de		A3	
rev.	change			date	name